

Tough and Reliable
with Great Looks
at a Low Cost

Battery Powered Photoelectric Smoke Alarm

● Model: DG802

Photoelectric Sensing Technology

Red LED

Flashes every 30-40 seconds to indicate that the smoke alarm is operating

Test Button

Tests unit's electronic circuitry, horn and battery function



Description

The alarm is a battery operated smoke alarm, equipped with a photoelectric sensor, designed to alert you and your family to the dangers of smoke and fire.

The alarm includes a 9V, protecting you even during a power failure. This unit offers a 5-year limited warranty.

Consumer Benefits

The photoelectric smoke alarm is battery operated protecting you and your family even during power outages.

This unit does not require any wiring and can be installed in minutes. The alarm is equipped with a test button that allows you to test the alarm's electronic circuitry, horn and battery function.

Features and Benefits

- Test Button – Tests unit's electronic circuitry, horn and battery function.
- Blinking power indicator – Confirms unit is receiving power.
- Battery Operated (9V Battery Included) – Protects even during a power outage.
- Low Battery Indicator – Smoke alarm will chirp in the event of a low battery.
- Missing battery Guard – Cover resists closing unless battery is inside.
- Ideal for Cooking areas – Reduces unwanted alarms.
- Tamper Resist Locking Screw – Helps deter alarm tampering or theft.



Battery Powered Photoelectric Smoke Alarm

Architectural and Engineering Specifications

The smoke alarm shall be powered by a 9V battery. The unit shall incorporate an photoelectric sensor with nominal sensitivity of 2.06%/ft. The temperature operation range shall be between 40°F and 100°F (4°C and 38°C) and the humidity operation range shall be 5% - 95% relative humidity.

The unit shall provide optional tamper resistance that helps deter removal of the unit from the wall or ceiling. The alarm shall include a test button that will electronically simulate the presence of smoke and cause the unit to go into alarm. This sequence tests the unit's electronics, battery and horn to ensure proper operation.

The unit shall include a piezoelectric horn that is rated at 85dB at 10 feet. The unit shall also include a low battery warning utilizing a brief alarm chirp every 30-40 seconds along brief flashed from the safety light for a minimum of seven (7) days.

The unit shall incorporate one red LED to indicate the alarm's current status and mode of operation. The red LED will indicate one of two conditions:

Standby Condition: The red LED will flash every 30-40 seconds to indicate that the smoke alarm is operating properly.

Alarm Condition: When the alarm senses products of combustion and goes into alarm, the red LED will flash rapidly (one flash per second).

The rapid flashing LED and pulsating alarm will continue until the air is cleared.

It shall also include a 5-year manufacture's limited warranty.

Technical Specifications

Power Source: 9V Battery (included)

Audio Alarm: 85dB at 10ft (3meters)

Temperature Range: 40°F to 100°F (4°C to 38°C)

Humidity Range: 5%-95% relative humidity (RH)

Sensor: Photoelectric

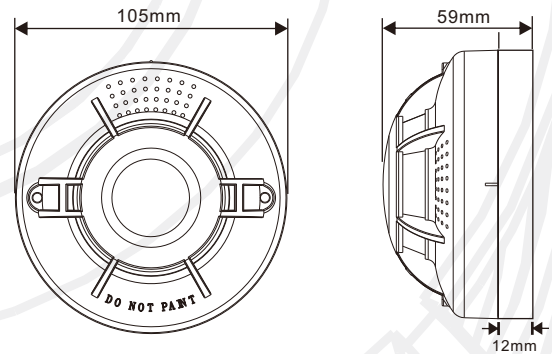
Size: 105mm in diameter x 59mm depth

Weight: 135g

Interconnects: No

LED: Red, normal operation

Warranty: 5 years limited



Ordering Information

| Part Number | Pack Quantity | Dimensions (w x d x h millimetres) | Weight |
|-------------|----------------------|---------------------------------------|--------|
| | Individual (1 units) | 110x110x62 | 170g |

Distributed by: